

### GENERAL FEATURES

- **TORK series S5080 (N.C) direct acting plate mounting compressor solenoid valves are 3/2 way normally closed and have small body size.**
- **Without manual override, for small body (1/8" and 1/4"), square type body and easy installation**
- **This valves use especially exhaust systems**
- **On request manual override**
- **Suitable for non-aggressive liquids (water, light oil (2E) etc...), gaseous fluids (air, inert gases etc...)**
- Working Temperature: -10°C / +160°C
- **On request; top exhaust with 1 mm, 1,8 mm and 2,5 mm orifice and seals**
- Not suitable for use with dangerous fluids listed in Group 1
- **Don't require any differential pressure**
- Compact and low weight valve enabling and quick installation
- High reliability, quality and performance; long life, corrosion resistance
- Wide pressure ratings, range of flow rate and orifice options
- **On request; solenoid valve can have 4 mounting hole at the bottom of the body.**
- Ideal for the automatic control of media in a wide range of applications
- TORK solenoid valves satisfy relevant 97/23/EC, Pressure Equipment Directive (PED) and 2006/95/EEC Low Voltage Directive (LVD).
- Some applications; compressor tank
- Coils interchangeable
- Fw factor Kv of each valve is indicated, so that the flow Q can be calculated as a function of pressure
- Solenoid valves must be used with filtered fluids.
- Solenoid valve can be mounted in any position without affecting operation; vertical with coil upwards preferred.
- Standard pipe connection is G (BSP) (ISO 228-1) and on request; other pipe connections are available (NPT (ANSI 1.20.3))

### ELECTRICAL CHARACTERISTICS

Continuous Duty : ED %100  
 Coil Insulation Class : H (180°C)  
 Coil Impregnation : Polyester Fiber Glass  
 Coil Encapsulation Material : Fiber Glass Reinforced  
 Ambient Temperature : from -10°C; +60°C  
 Protection Degree : IP 65 (EN 60529) with coil duly fitted with the plug connector  
 Electric Plug Connection : DIN 46340 3-poles connectors (DIN 43650)  
 Connector Specification : ISO 4400 / EN 175301-803, Form A, Spade plug (Cable Ø 6-8 mm)  
 Electrical Safety : IEC 335  
 Standard Voltages : For AC 12V, 24V, 48V, 110V, 230V  
 For DC 12V, 24V, 48V, 110 V

Other voltages on request;  
 Voltage Tolerances : For AC -15%; +10%, For DC -5%; +10%  
 Frequency : 50 Hz, other frequencies on request; (60 Hz)  
 On request; connector with LED  
 Specify coil voltage with order

### MATERIALS IN CONTACT WITH FLUID

Body : Brass  
 Internal Parts : Stainless Steel  
 Sealing : FPM (VITON)  
 Shading Ring : Copper  
 Seats : Brass  
 Core Tube : Stainless Steel  
 Springs : Stainless Steel  
 On request; nickel plated body  
 On request; sealing can be NBR

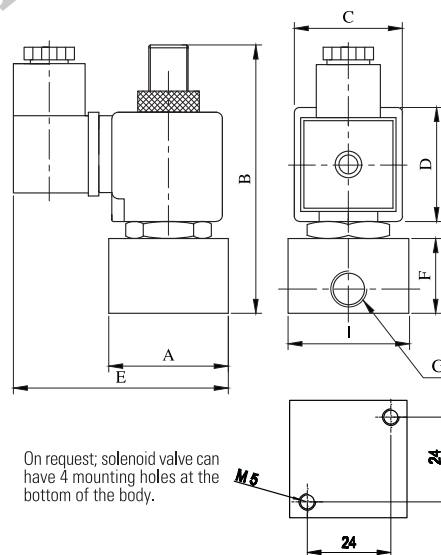
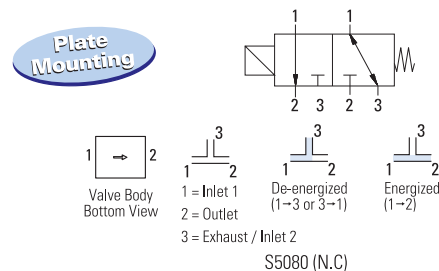


Application



Application

### Normally Closed



Dimensions (mm)

|      | G  | A    | B  | C  | D  | E    | F  | I |
|------|----|------|----|----|----|------|----|---|
| 1/8" | 35 | 90.5 | 32 | 39 | 68 | 26.5 | 35 |   |
| 1/4" | 35 | 90.5 | 32 | 39 | 68 | 26.5 | 35 |   |

### TECHNICAL FEATURES

Max Viscosity : 5°E (~37cSt or mm<sup>2</sup>/s)  
 Response Time : Opening Time:30 ms, Closing Time:30 ms  
 Maximum Allowable Pressure:20 bar  
 Fluid Temperature for NBR from -10° / +80°

| Valve Type / Order no | Connection Size | Orifice size | Pressure   |               |            | KV                  | Fluid Temperature |     | Seal  | Weight      |
|-----------------------|-----------------|--------------|------------|---------------|------------|---------------------|-------------------|-----|-------|-------------|
|                       |                 |              | min        | max           |            |                     | min               | max |       |             |
| <b>S5080</b>          | <b>G</b>        | <b>mm</b>    | <b>bar</b> | <b>Liquid</b> | <b>Air</b> | <b>lt/min</b>       | <b>°C</b>         |     |       | <b>(kg)</b> |
| S 5080 . 00 . 018     | 1/8"            | 1.8          | 0          | 2             | 14         | 1-2=1,35 , 2-3=1,35 | -10               | 160 | VITON | 0.5         |
| S 5080 . 00 . 025     | 1/8"            | 2.5          | 0          | 1             | 10         | 1-2=2,5 , 2-3=1,35  | -10               | 160 | VITON | 0.5         |
| S 5080 . 01 . 018     | 1/4"            | 1.8          | 0          | 2             | 14         | 1-2=1,35 , 2-3=1,35 | -10               | 160 | VITON | 0.49        |
| S 5080 . 01 . 025     | 1/4"            | 2.5          | 0          | 1             | 10         | 1-2=2,5 , 2-3=1,35  | -10               | 160 | VITON | 0.49        |

### Useful Informations

1 bar:14,5 PSI:10 mH<sub>2</sub>O:10 N/cm<sup>2</sup>:1 kg/cm<sup>2</sup>: 100000 Pa, 1 PSI:69 mbar,1 m<sup>3</sup>/h:4.405 GPM:16,7 L/d 1 Gallon / minute:0,227 m<sup>3</sup>/h, 0°C:89,6 F  
 Sealings:FPM (VITON);Fluoro-Carbon Elastomer, NBR = Nitrile Butylene Elastomer